



FT300

FiberInspector™

Video Microscope

Instruction Sheet

Introduction

The FT300 FiberInspector™ video microscope is a hand-held microscope probe and display used to inspect the ends of fiber optic connectors through bulkhead adapters. The video microscope lets you view fiber end faces that cannot be accessed by traditional fiber microscopes.

The video microscope comes with the following:

- FT350 Fiber Probe
- FT330 Fiber Display
- AC adapter/battery charger
- Probe adapter tips (ST, SC, FC, and universal 2.5 mm patch cord tip)
- Instruction sheet
- Warranty registration card
- Hard carrying case

If anything is missing or damaged, contact the place of purchase immediately.

Contacting Fluke Networks

Visit the Fluke Networks Web site at www.flukenetworks.com.
Send email to fluke-assist@flukenetworks.com.

To order accessories or get the location of the nearest Fluke Networks distributor or service center, call:

- USA: 1-888-99-FLUKE (1-888-993-5853)
- Canada: 1-800-363-5853
- Europe: +31-402-678-200
- Japan: +81-3-3434-0181
- Singapore: +65-738-5655
- Anywhere in the world: +1-425-446-4519

For operating assistance in the USA, call 1-800-283-5853.

Safety Information



To avoid possible eye damage caused by hazardous radiation, never look directly into optical output connectors. Some sources produce invisible radiation that can permanently damage your eyes.

To avoid possible fire, electric shock, or personal injury:

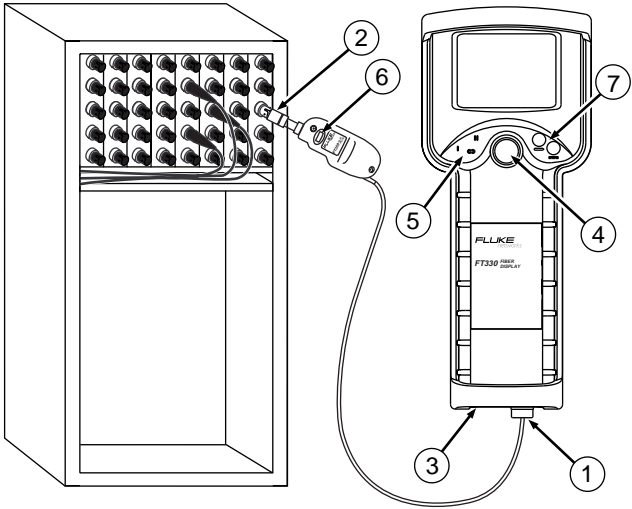
- **Do not open the case; no user-serviceable parts are inside.**
- **Use only the ac adapter provided to power the display and charge the battery.**

Getting Started

Before you power the video microscope with the battery for the first time, charge the battery with the ac adapter for about 4 hours. You can use the video microscope while the battery charges. A fully-charged battery lasts about 3 hours.

Features and Use

Figure 1 describes the video microscope's features and use.



aib01f.eps

- ① Connect the FT350 Fiber Probe to the display.
- ② Place an adapter tip on the fiber probe to match the connection you are inspecting.
- ③ To ensure continuous operation, connect the ac adapter whenever possible. Doing so ensures maximum battery life when ac power is not available.
- ④ Press the on/off switch to turn on the display. The display stays on for the time set by the power-down timer switch. Press the switch again to turn off the display before it turns off automatically.
- ⑤ The power-down timer switch sets the time the display stays on. Choose 10 seconds (I), 30 seconds (II), or infinity (∞), which disables the timer.
- ⑥ Turn the knob on the fiber probe to focus the image on the display.
- ⑦ Battery power (—) and ac power (—) LEDs indicate the status of the FT330 Fiber Display, as described in Table 1.

Figure 1. Features and Use

Battery Status LEDs

Table 1 describes the battery status LEDs on the FT330 Fiber Display.

Table 1. FT330 Status Indications

Battery LED —	AC LED ⋮	Status
Off	Off	The unit is off. AC voltage is not present.
Green	Off	The unit is on. AC voltage is not present.
Red flashing	Off	The unit is on. The battery is low. AC voltage is not present. About 15 minutes of battery power remain before the display automatically turns off. Connect the ac adapter to continue operation while charging the battery.
Red	Green	The unit is off. The AC adapter is charging the battery.
Off	Green	The unit is on. The battery is fully charged. AC voltage is present.
Red	Green	The unit is on. The AC adapter is charging the battery.

Maintenance

Clean the case with a soft cloth dampened with water or a mild detergent. Do not use solvents or abrasive cleansers.

Getting Service

Contact Fluke Networks, as described near the beginning of this instruction sheet, for information on authorized Fluke Networks service centers.

Accessories and Replacement Parts


The following accessories and replacement parts are available from Fluke Networks for the FT300 Video Microscope.

Description	Fluke Model or Part Number
ToolPak™ meter hanging kit	TPAK
ST adapter tip	1587344
SC adapter tip	1587359
FC adapter tip	1587367
Universal 2.5 mm patch cord tip	1587371
AC adapter/charger (100 V – 240 V)	1587380
Hard carrying case	1587398
NiMH battery pack	1587454

Other styles of adapter tips are available. Visit the Fluke Networks website at www.flukenetworks.com for more information.

Preliminary Specifications

FT330 and FT350 General Specifications

Temperature range	Operating: 0 °C to 40 °C Storage: -10 °C to +60 °C
Humidity range	Operating: 0 % to 45 % RH non-condensing; Storage: 0 % to 95 % RH non-condensing
Certifications	

FT330 Fiber Display

Display type	2.5 in (6.35 cm) TFT, active matrix, 480 x 234 pixels
Video output	NTSC
Power source	NiMH battery or ac power
Battery life	3 hours continuous use
Dimensions	3.5 in x 2.3 in x 8.5 in (8.89 cm x 5.84 cm x 21.59 cm)
Weight	16.4 oz (465 g)

FT350 Fiber Probe

Magnification	250X with the 2.5 in (6.35 cm) LCD display
Camera type	0.33 in (8.38 mm) CCD with adjustable focus
Light source	Red LED
Power source	From FT330
Lighting technique	Coaxial
Dimensions	1.3 in x 1.3 in x 4.3 in (3.3 cm x 3.3 cm x 10.92 cm) (length depends on adapter tip)
Weight	1.4 oz (40 g)

LIMITED WARRANTY AND LIMITATION OF LIABILITY

This product will be free from defects in material and workmanship for one year from the date of purchase. This warranty does not cover fuses, disposable batteries, or damage from accident, neglect, misuse, alteration, contamination, or abnormal conditions of operation or handling. Resellers are not authorized to extend any other warranty on Fluke Networks' behalf. To obtain service during the warranty period, contact your nearest Fluke Networks authorized service center to obtain return authorization information, then send the product to that Service Center with a description of the problem.

Fluke Networks' warranty obligation is limited, at Fluke Networks' option, to refund of the purchase price, or free of charge repair or replacement of a defective product which is returned to an authorized Fluke Networks Service Center within the warranty period.

Warranty service is available outside the United States only if product was purchased through a Fluke Networks Authorized Sales Outlet in the country of use or the applicable Fluke Networks international price was paid.

THIS WARRANTY IS YOUR ONLY REMEDY. NO OTHER WARRANTIES, SUCH AS FITNESS FOR A PARTICULAR PURPOSE, ARE EXPRESSED OR IMPLIED. FLUKE NETWORKS IS NOT LIABLE FOR ANY SPECIAL, INDIRECT, INCIDENTAL OR CONSEQUENTIAL DAMAGES OR LOSSES, ARISING FROM ANY CAUSE OR THEORY.

Since some states or countries do not allow the exclusion or limitation of an implied warranty or of incidental or consequential damages, this limitation of liability may not apply to you.

Fluke Networks, Inc.
P.O. Box 9090
Everett, WA 98206-9090
U.S.A.

Fluke Europe B.V.
P.O. Box 1186
5602 BD Eindhoven
The Netherlands